



FISHING WINCHES

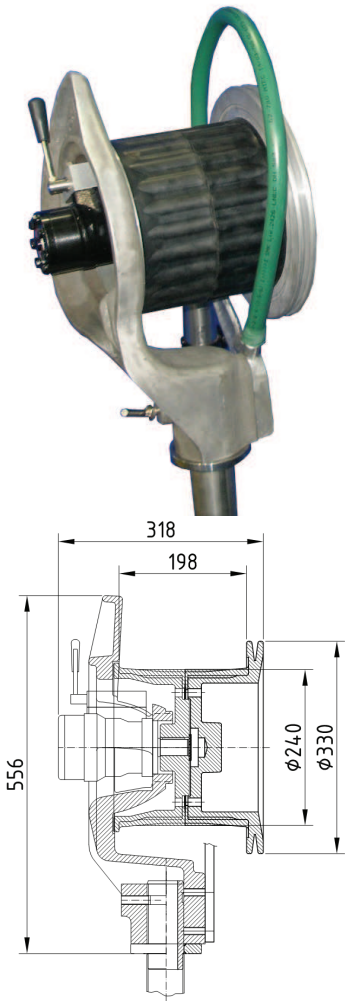


SCAM
marine

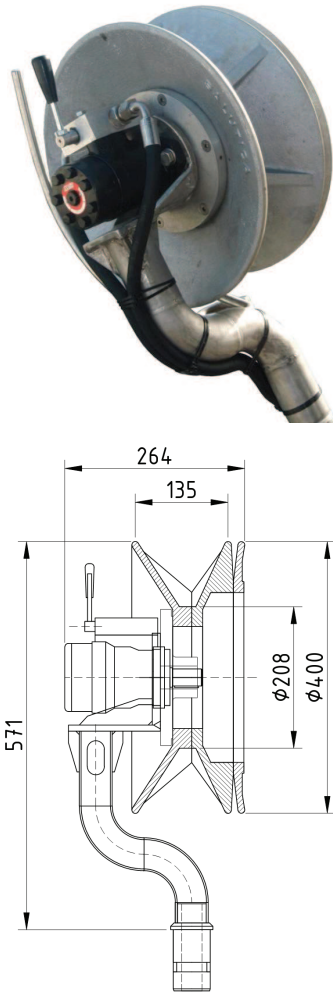


PURETICH POWER BLOCK - small

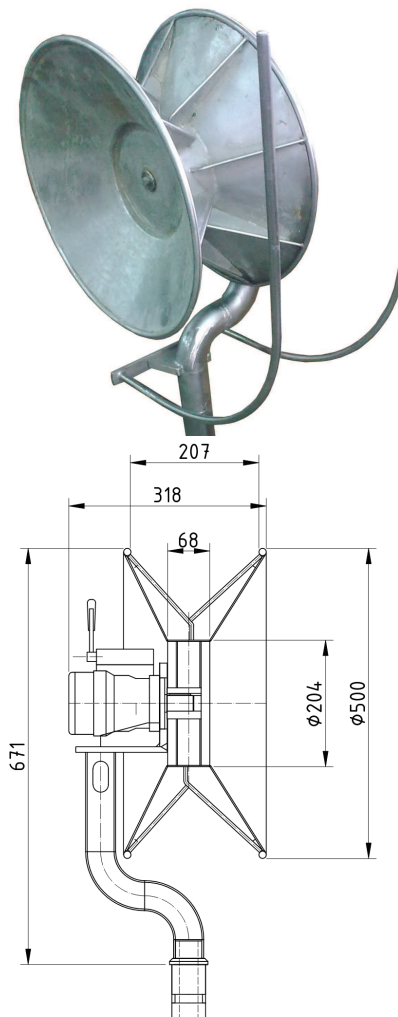
HRP0,3-MN1H-i6



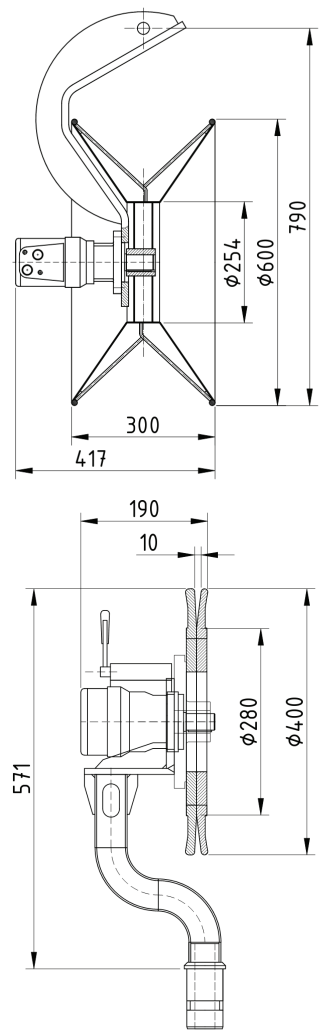
HRP0,3-MN1H-g



HRP0,3-MN1H-k

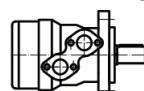
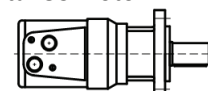


HRP0,3-M1H-i



HRV0,3-N1H
longline

TECHNICAL FEATURES

CONFIGURATION			DATA	
stand hanged	with guide with ejector	plastic oil tank	Rated pull Speed Torque	up to 8 kN 10 - 30 m/min 0,2 - 0,8 kNm
HYDRAULIC POWER			DRIVE	
pump drive	clutch	valve	electric	hydraulic
with main engine with auxil engine	mechanical Gr 1-2 mechanical Gr 2-3 electromagnetic 30 Nm electromagnetic 100 Nm	distributor monoblock	not available	orbital OP motor orbital OS motor
				

OPTION

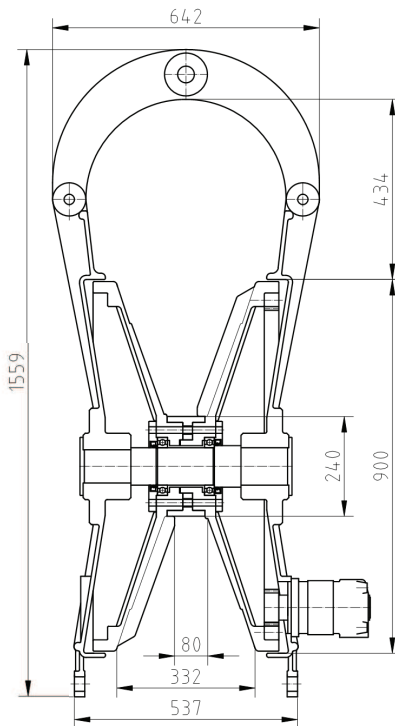
ACCESSORIES		MATERIAL
INOX oil tank	Remote control	AlMg alloy Stainless steel



PURETICH POWER BLOCK - big

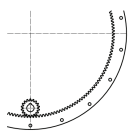
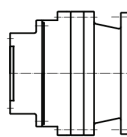
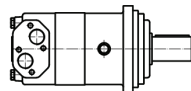
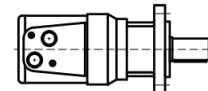


HRP4-M1H



HRP7-M1

TECHNICAL FEATURES

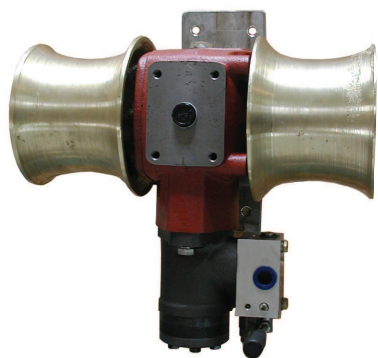
CONFIGURATION			DATA	
hanged			Rated pull Speed Torque	up to 50 kN 10 - 40 m/min 3 - 15 kNm
GEARBOX			DRIVE	
gear	planetary		electric not available	hydraulic orbital motor
				

OPTION

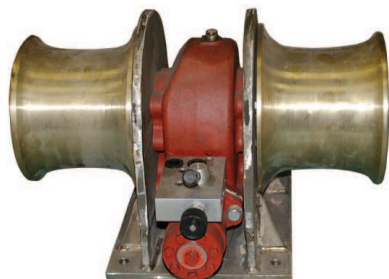
ACCESSORIES		MATERIAL
PTO - mechanical Gr 3-4,5 - friction clutches - hydraulic clutches	Remote control	AlMg alloy Stainless steel



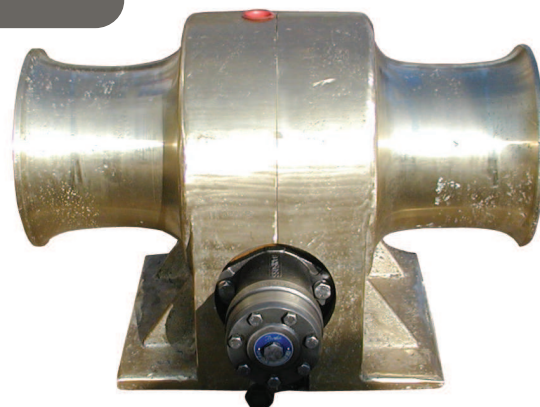
TOWING ROPE / NET WINCHES



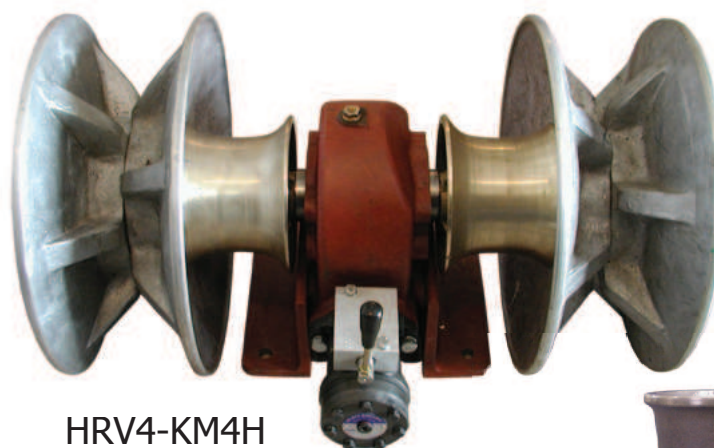
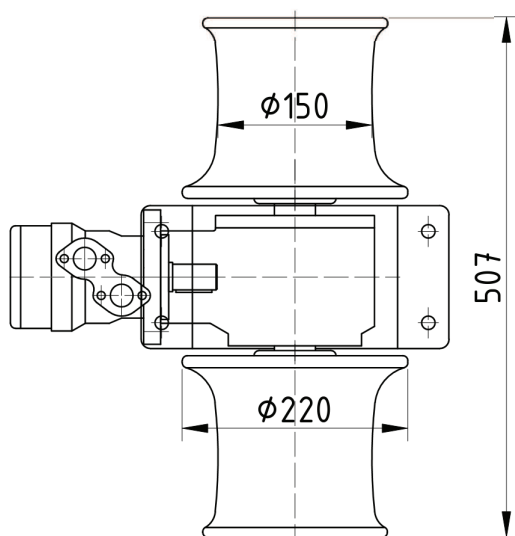
HRV1,4-K2H



HRV2-K2H



HRV4-K2H

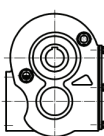
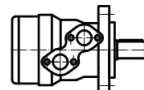
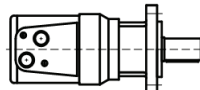


HRV4-KM4H



VRV1,4-K1H

TECHNICAL FEATURES

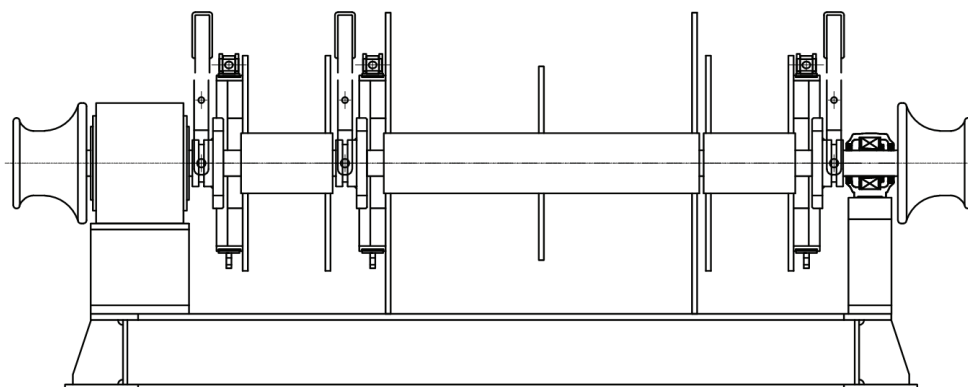
CONFIGURATION			DATA	
stand	single warping head double warping head double warping / net	plastic oil tank	Rated pull Speed Torque	up to 50 kN 10 - 30 m/min 0,5 - 10 kNm
GEARBOX			DRIVE	
pump drive	clutch	gear	electric not available	hydraulic orbital motor
with main engine with auxil engine	mechanical Gr 2-3 mechanical Gr 3,5-4 electromagnetic 100 Nm electromagnetic 140 Nm			

OPTION

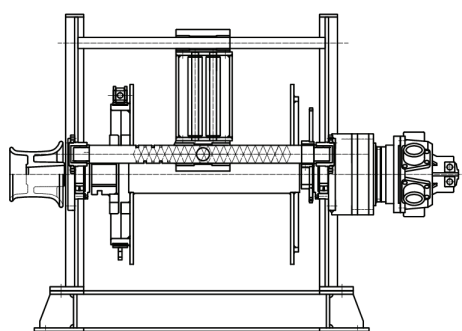
ACCESSORIES		MATERIAL
INOX oil tank	Remote control	AlMg alloy Bronze Stainless steel



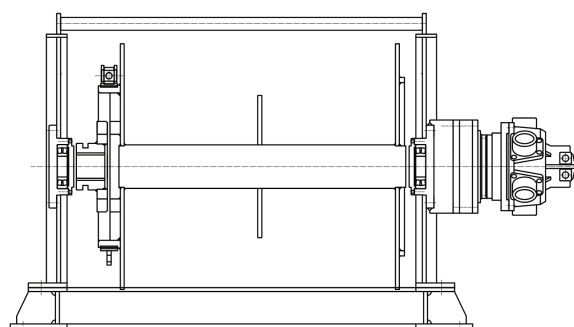
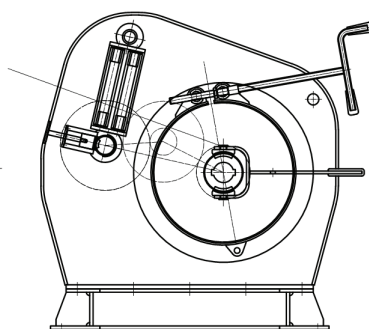
TRAWL NET WINCHES



HRV7-SK3H



HRV12-S1H



HRV8-KM1H

TECHNICAL FEATURES

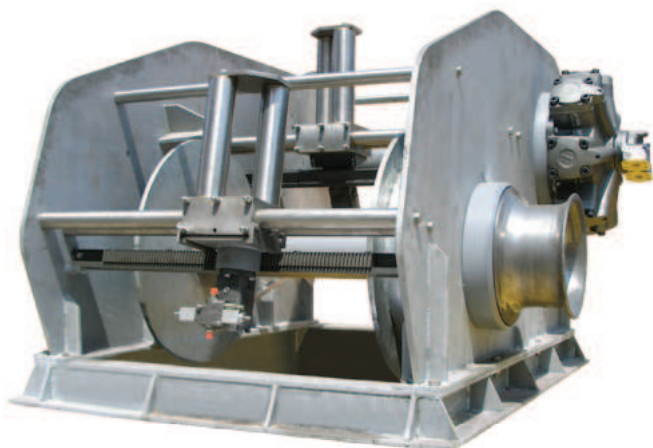
CONFIGURATION			DATA	
single	without warping head	band brake	Rated pull	up to 150 kN
double			Speed	
triple	with warping head	jaw clutch	Torque	
GEARBOX			DRIVE	
gear	planetary		electric	hydraulic
			not available	

OPTION

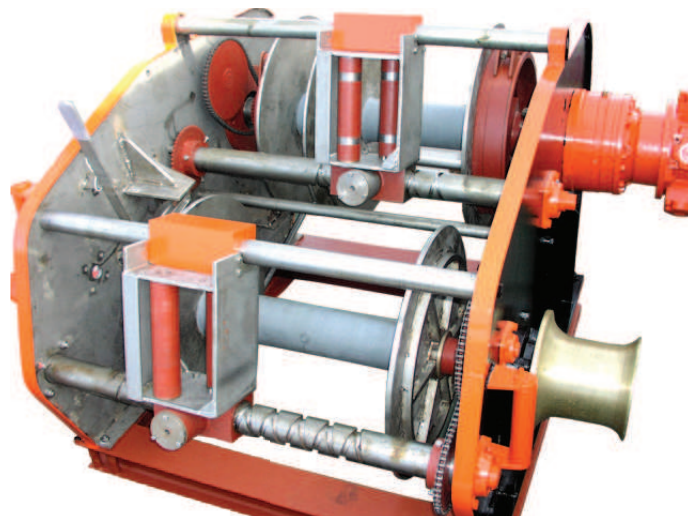
ACCESSORIES		MATERIAL
PTO - mechanical Gr 3-4,5	Remote control	Steel (sandblasted and painted) - standard Stainless steel
- friction clutches	Spooling device	
- hydraulic clutches		



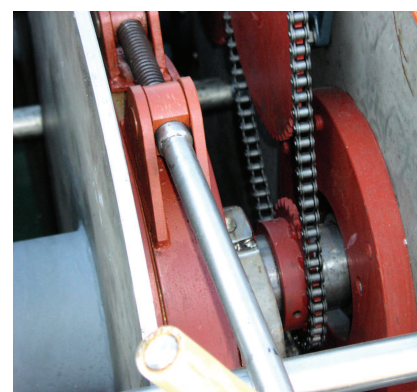
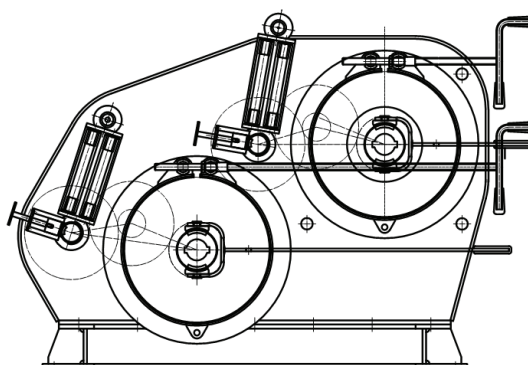
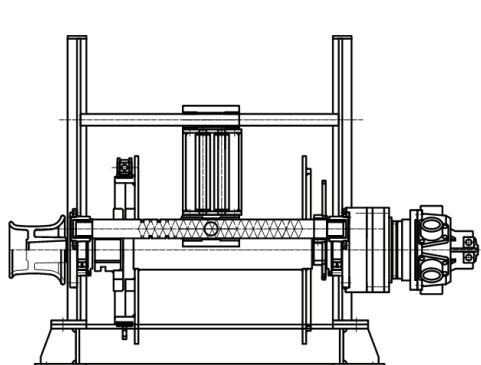
FISHING WINCHES - purse seines



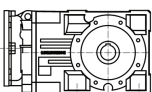
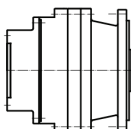
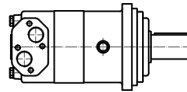

HPV17-S2H



HPV15-S3H



TECHNICAL FEATURES

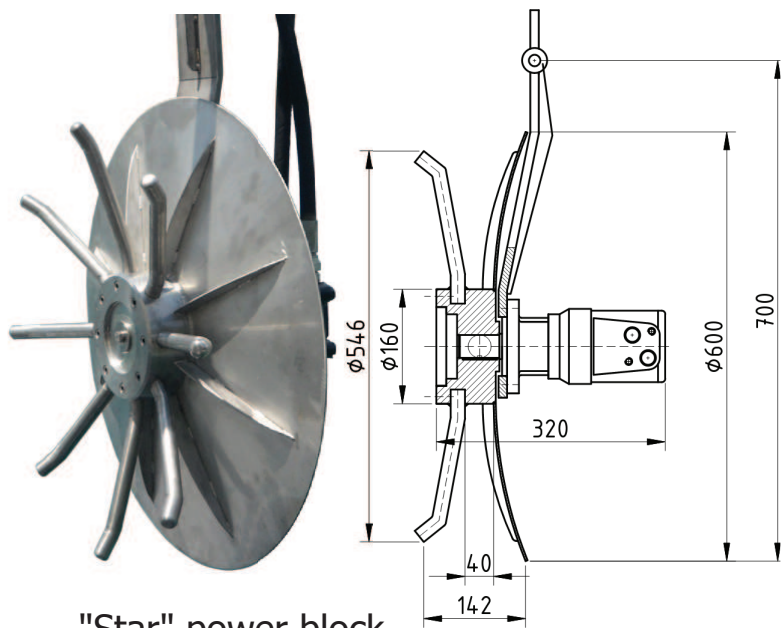
CONFIGURATION			DATA	
single	without warping head	band brake	Rated pull	up to 150 kN
double			Speed	10 - 35 m/min
triple	with warping head	jaw clutch	Torque	10 - 50 kNm
GEARBOX			DRIVE	
gear	planetary		electric	hydraulic
			not available	
				

OPTION

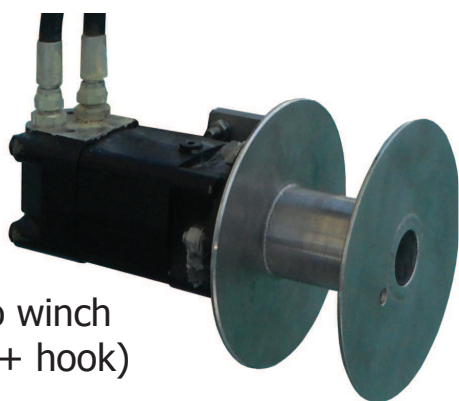
ACCESSORIES		MATERIAL
PTO - friction clutches	Remote control Spooling device	Steel (sandblasted and painted) - standard Stainless steel
- hydraulic clutches		
- multiplier		



SHELL - FISHING TOOLS



"Star" power block



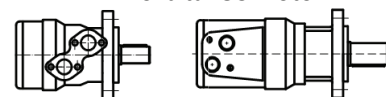
Cargo winch
(rope + hook)



Shell cleaning machine

TECHNICAL FEATURES

CONFIGURATION			DATA	
stand			Rated pull	up to 8 kN
hanged			Speed	10 - 20 m/min
			Torque	0,2 - 5 kNm
HYDRAULIC POWER			DRIVE	
pump drive	clutch	valve	electric	hydraulic
with main engine	mechanical Gr 1-2		not available	orbital OP motor
with auxil engine	mechanical Gr 2-3	distributor		orbital OS motor
	electromagnetic 30 Nm	monoblock		
	electromagnetic 100 Nm			

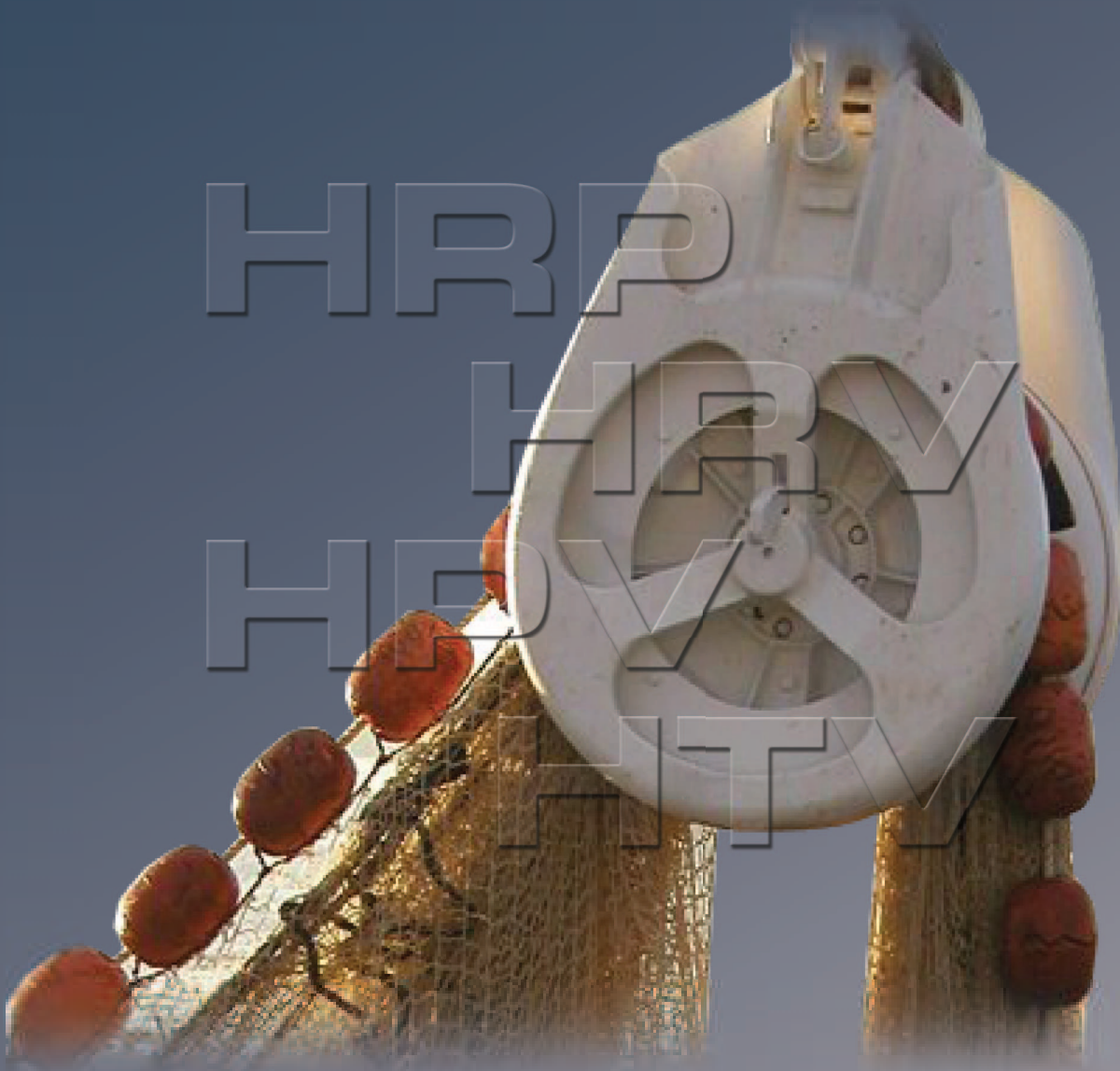


OPTION

ACCESSORIES		MATERIAL
INOX oil tank	Remote control	AlMg alloy Stainless steel



FISHING WINCHES



HRP
HRV
HEV
HTV

SCAM marine d.o.o. production and sales of nautical equipment

Dealer:



Mavri bb, 51216 Viškovo, CROATIA
tel.: +385 51 503 626 fax: +385 51 503 629
info@scam-marine.hr
www.scam-marine.hr